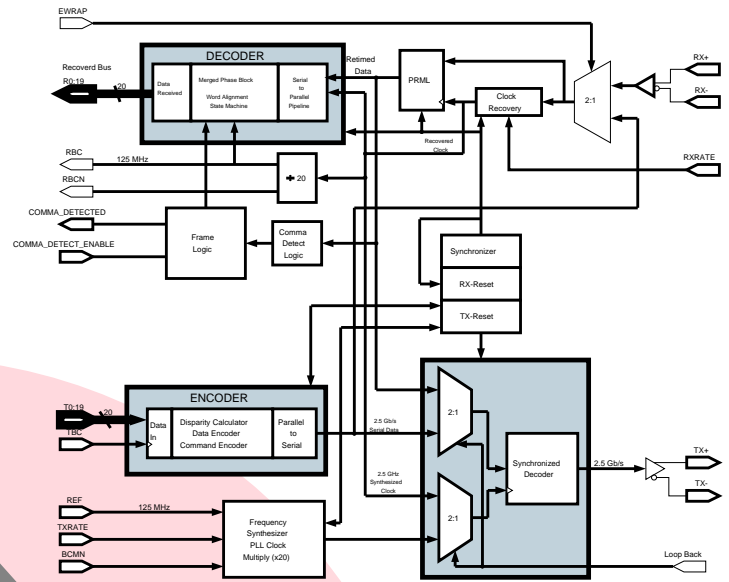


LC25TR00-20

LSI Communication 2.5Gb/S Ethernet Transceiver
 LSI Communication 2.12Gb/S Fiber Channel Transceiver

LDic™
 LC25TR00-20
 Advance Product Information



LDIC 1.25/2.5 Gb/s Ethernet Transceiver
 LDIC 1.06/2.12 Gb/s Fiber Channel Transceiver

Block Diagram

FEATURES

GENERAL

- 2.12/1.06 Gbit/Sec. Fiber Channel Transceiver
- 2.5/1.25 Gbits/Sec. Ethernet Transceiver
- Advance optional PRML data and clock recovery
- Auto detectable/ switchable full or half speed
- Maximum serial data output Random Jitter (RMS) 4.0 p.S
- Maximum Serial data output deterministic jitter (p-p) 25.0 p.S
- Maximum data output total jitter (p-p) in loop back mode 1.8 n.S
- Data Acquisition lock time at 2.5Gb/S is 1000 Bit Clock
- Lowest power consumption at 2.5Gb/S, 550mW max
- Fully compliant with 802.3z Ethernet Specification
- Fully scalable technology path toward 10Gb/S Ethernet
- Total Power dissipation at 2.5Gb/S is 2.0W
- Advance 0.18microm CMOS technology
- 80-pin or 100-pin EDQUAD package